

VIDERA

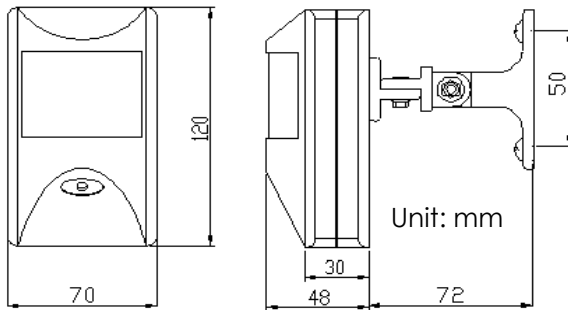
Analog High Definition 1080P ALL-in-1 Camera



Features:

- ★ HD video quality on 1080P resolution.
- ★ HD video transmission without quality loss and compression.
- ★ Real-time video display without delay.
- ★ Long video transmission distance via Coax / UTP.
- ★ SONY 2.07MP CMOS image sensor.
- ★ AES, AGC, ATW, DWDR, 2DNR / 3DNR.
- ★ Built-in anti-aliasing IR Cut Filter.
- ★ Furnished with OSD control cable, push UP / DOWN / LEFT / RIGHT / SET to switch video signal between HD-CVI / TVI / CVBS / AHD / NTSC or PAL.

Dimensions:



OSD Control Cable

Press 5 sec. to switch video signal:



- ⬆️: HD-CVI
- ⬇️: TVI
- ⦿: CVBS
- ⬆️: AHD
- ⦿: NTSC or PAL

Push ⦿ button to enter OSD

Specifications:

Model No.	CV-BM2MF37
Image Pick-up Device	SONY 1/2.9" 2.07 MP CMOS
IR Cut Filter	Built-in
Horizontal Resolution	1920 (H) x 1080 (V) @ 30FPS
Minimum Illumination	0.05LUX / F2.5
S/N Ratio	More than 60 dB
Auto Electronic Shutter	AUTO; FLK; 1/25~1/50000; X2~X30
OSD Language	ENG; CHN1; CHN2; GER; FRA; ITA; SPA; POL; RUS; POR; NED; TUR
Auto Gain Control	0~15
SEN-UP	OFF; AUTO (X2~X30)
White Balance	ATW; AWC; INDOOR; OUTDOOR; MANUAL; AWB
Gamma Characteristic	0.45
DWDR	OFF; AUTO; ON
DEFOG	OFF; AUTO
Noise Reduction	2DNR; 3DNR
Backlight	BLC; HSBLC
D-EFFECT	FREEZE; MIRROR; NEG.IMAGE
Privacy	OFF; ON (AREA, DISPLAY, COLOR, TRANS)
Dead Pixel Correction	LIVE; WHITE; BLACK
Day & Night	EXT; AUTO; COLOR; B/W
Camera Title	OFF; ON
Lens Furnished	HD 3.7mm Cone Lens
Synchronous System	Internal, Negative sync.
Video Output	NTSC; PAL (1 Vp-p Composite Video / 75 ohm)
Lens Shading Compensation	OFF; ON
Transmission Distance	Coax.: 300M (3C2V) / 500M (5C2V) UTP: 200M (Cat5e)
Power Supply / Consumption	DC 12V / 100mA
Operating Temp.	-10°C to 50°C (14°F to 122°F)
Housing Material	Plastic
IR LED	Without
IR Projection Distance	NIL

Fine quality made in Taiwan

