

**DS-D5032F3-1V0S(海外标配)(欧标)  
32 inch FHD 75Hz VA Monitor with Speaker**



- VA technology, 178° ultra-wide view screen.
- 8 bit LVDS FHD (1920 × 1080) display.
- 3D noise reduction.
- Low blue light design for eye care.
- Dual interface of HDMI and VGA.
- Support VESA wall mount.

## ▪ Specification

<b>Display</b>	
Screen Size	32 inch
Active Display Area	698.4 (H) mm × 392.85 (V) mm
Resolution	1920 × 1080
Backlight	D-LED
Pixel Pitch	0.12125 (H)mm x 0.36375 (V) mm
Brightness	300 cd/m <sup>2</sup>
Viewing Angle	178° (H) / 178° (V)
Color Depth	8 bit
Contrast Ratio	4000 : 1
Response Time	8 ms
Refresh Rate	Typ. 60 Hz, Max. 75 Hz
Haze	Haze 2 %
Reliability	7 × 24 H
Color Gamut	72 % NTSC
<b>Interface</b>	
Video & Audio Input	VGA × 1, HDMI 1.4 × 1, Audio Output × 1
Video & Audio Output	Speaker(8Ω 10W) × 2
Data Transmission Interface	None
Control Interface	None
<b>Power</b>	
Power Supply	100~240 VAC, 50/60 Hz
Power Consumption	≤ 48 W
Standby Consumption	≤ 0.5 W
<b>Working Environment</b>	
Working Temperature	0 ℃ to 40 ℃ (32 ℃ to 104 ℃)
Working Humidity	20% to 90% RH (Non-Condensing)
Storage Temperature	-20 ℃ to 60 ℃ (-4 ℃ to 140 ℃)
Storage Humidity	10% to 90% RH (Non-Condensing)
<b>General</b>	
Casing Material	Plastic
VESA	100 mm × 100 mm (4 - M6 × 10 mm)
Bezel Width	16.7 mm (top/left/right), 20.5 mm (bottom)
Product Dimensions (W × H × D)	With base: 735.08 (W) mm × 489.16 (H) mm × 207.95 (D) mm Without base: 735.08 (W) mm × 433.46 (H) mm × 80.19 (D) mm
Package Dimensions (W × H × D)	808 (W) mm × 510 (H) mm × 140 (D) mm
Net Weight	4.55 ± 0.5 kg
Gross Weight	6.1 kg ± 0.5 kg
Packing List	Monitor × 1, Base component × 1, HDMI cable (1.5 m) × 1, User manual × 1, Multilingual manual × 1, remote control × 1, Base screw × 6, Wall-mount screw × 4
Remarks	The base is included by default. The product appearance and parameters in this specification may vary from your actual device. Please consult our local sales staff for further information

▪ Physical Interface

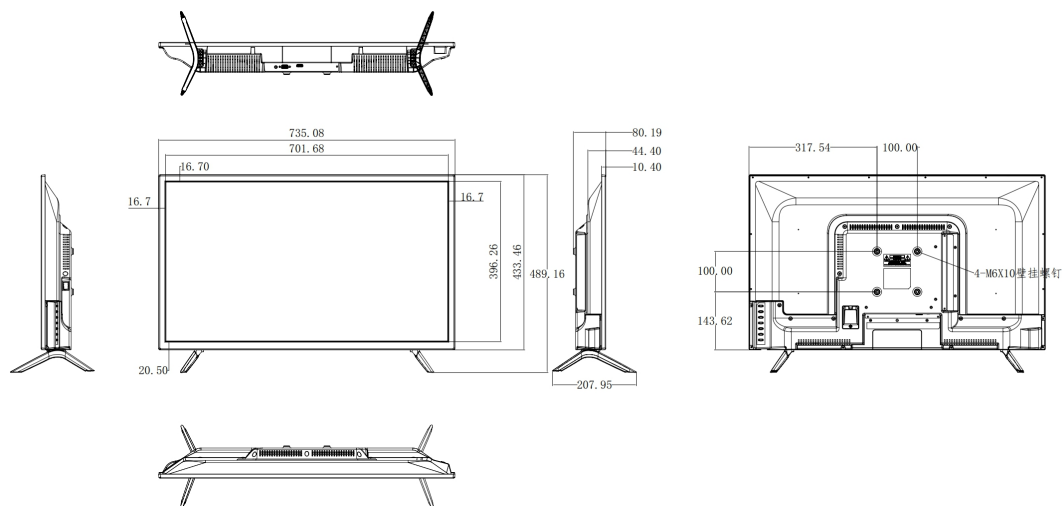
Interface	Description	Interface	Description
POWER	AC power input interfac	HDMI	HDMI 1.4 digital signal input interface
VGA	VGA analog signal input	AUDIO OUT	3.5 mm Audio output interface



▪ Available Model

DS-D5032F3-1V0S

▪ Dimension





**Headquarters**

No.555 Qianmo Road, Binjiang District,  
Hangzhou 310051, China  
T +86-571-8807-5998  
www.hikvision.com



Follow us on social media to get the latest product and solution information.

