

**DS-PS403I-WE**

**Wireless Intercom Sounder Plus**



The wireless internal sounder plus supports two-way audio function for ARCs to do the alarm verification, which can help users to know what is the real situation on-site immediately.

- Two-way audio communication
- Kinds of prompt sound and LED indications
- Fully remote configurable through APP

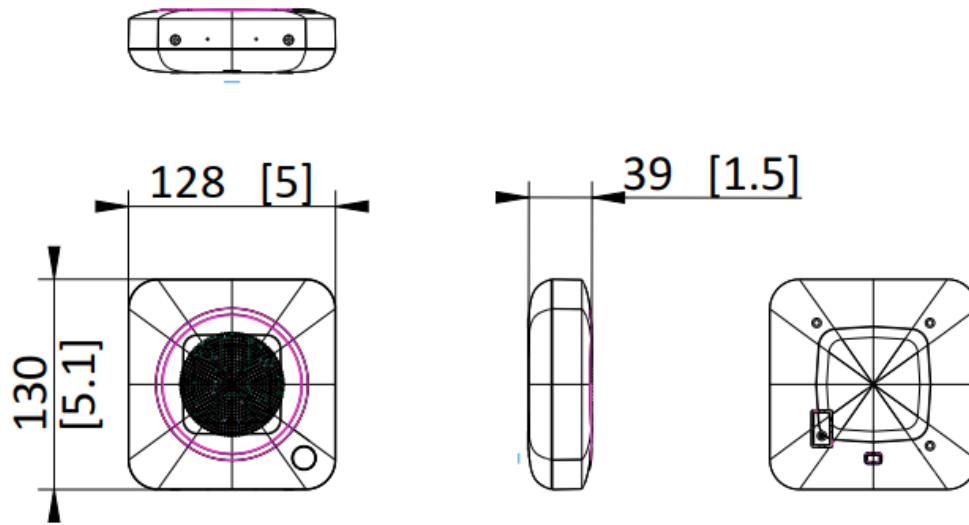
## ▪ Specification

<b>Indication</b>	
Voice prompt	Supported
Indication method	Acoustic and LED
Sound volume level	Adjustable Alarm: 105 dB max at a distance of 1 m Intercom: 85 dB max at a distance of 1 m
Alarm duration	Adjustable, 10 s–15 min
Indication of armed/disarmed status	Yes
<b>Hardware features</b>	
Tamper-Proof	Supported
Buzzer	Supported
Power switch	Power on/off
Mic	Supported
<b>Audio</b>	
Intercom	Two-way communication
<b>Electrical characteristics</b>	
Operation humidity	10% to 90% (no condensing)
Operation temperature	–10°C to 55°C
Battery type	4 × CR123A
Power supply	Support 12 VDC power supply
Power consumption	Quiescent current: 5 uA Max current: 1.6 A Voltage: 3 V
Battery life span	Up to 4 years (The battery working time can be significantly reduced at low temperatures)
<b>Wireless transmission</b>	
RF frequency	868 MHz
RF modulation	2GFSK
RF distance	1000m (open area)
Wireless technology	CAM-X Wireless Technology
<b>Display</b>	
LED Indicator	Enrollment/Signal (red/green), Alarm(blue/red), Two-way audio service(blue/red)
<b>General</b>	
Dimension(WxHxD)	130 mm × 128 mm × 39.5 mm
Color	White case (blue or red LED alarm)
Installation method	Wall-mounting
Weight	355 g

## ▪ Available Model

DS-PS403I-WE

▪ Dimension



Unit:mm [inch]

SCALE	1:1
-------	-----

**Headquarters**

No.555 Qianmo Road, Binjiang District,  
Hangzhou 310051, China  
T +86-571-8807-5998  
www.hikvision.com



Follow us on social media to get the latest product and solution information.

