

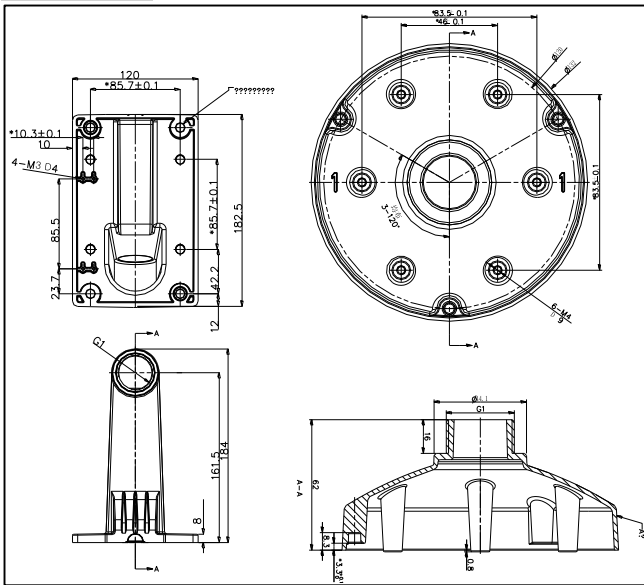
DS-1273ZJ-130-TRL

Wall Mounting Bracket for Dome Camera
(with adaptor plate)

Features:

- Aluminum alloy material with surface spray treatment
- The outlet hole makes the feature looks better
- Better water proof design
- Convenient installation coordinating with lower bowl

Dimension:



Note: The actual bracket may vary from the picture above.

Order Model:

DS-1273ZJ-130-TRL



Parameter:

Model	DS-1273ZJ-130-TRL
Parameters	Wall Mounting Bracket for Dome Camera (with adaptor plate)
Appearance	Hik White
Range of Application	Suitable for dome camera wall mounting
Material	Aluminum Alloy
Dimension	130×182×120mm
Weight	900g

Notice:

- The bracket should be installed on flat wall
- The wall must be capable of supporting over 3 times as much as the total weight of the camera and the mount.
- The maximum load capacity of the bracket is 4.5KG