

## DS-2CE70DF3T-MFS 2 MP ColorVu Audio Fixed Turret Camera



- High quality imaging with 2 MP, 1920 × 1080 resolution
- 24/7 color imaging with F1.0 aperture
- Clear imaging against strong back light due to 130 dB true WDR technology
- 3D DNR technology delivers clean and sharp images
- 2.8 mm, 3.6 mm, 6 mm fixed focal lens
- Up to 20 m white light distance for bright night imaging
- High quality audio with audio over coaxial cable, built-in mic
- One port for four switchable signals (TVI/AHD/CVI/CVBS)
- Water and dust resistant (IP67)

## ▪ Specification

| Camera                   |   |
|--------------------------|---|
| Image Sensor             | 2 MP CMOS   |
| Max. Resolution          | 1920 (H) × 1080 (V)   |
| Min. Illumination        | 0.0005 Lux @ (F1.0, AGC ON), 0 Lux with white light   |
| Shutter Time             | PAL: 1/25 s to 1/50,000 s; NTSC: 1/30 s to 1/50,000 s   |
| Day & Night              | 24/7 Color Imaging  |
| Angle Adjustment         | Pan: 0° to 360°, Tilt: 0° to 75°, Rotation: 0° to 360°  |
| Signal System            | PAL/NTSC  |
| Slow Shutter             | Max. 16 times   |
| Light Alarm              | Solid Light Alarm (White Light)   |
| Lens                     |   |
| Lens Type                | 2.8 mm, 3.6 mm fixed focal lens   |
| Focal Length & FOV       | 2.8 mm, horizontal FOV: 98°, vertical FOV: 52°, diagonal FOV: 116°<br>3.6 mm, horizontal FOV: 77°, vertical FOV: 42°, diagonal FOV: 91° |
| Lens Mount               | M12   |
| Illuminator              |   |
| Supplement Light Type    | White Light   |
| Supplement Light Range   | Up to 20 m  |
| Smart Supplement Light   | Yes   |
| Supplement Light Type    | White Light   |
| Image                    |   |
| Image Parameters Switch  | STD/HIGH-SAT/HIGHLIGHT  |
| Image Settings           | Brightness, Contrast, Mirror, Sharpness, Anti-Banding, AGC  |
| Frame Rate               | TVI: 1080p @ 25 fps/30 fps<br>CVI: 1080p @ 25 fps/30 fps<br>AHD: 1080p @ 25 fps/30 fps<br>CVBS: PAL/NTSC                                |
| Day/Night Mode           | Color   |
| Wide Dynamic Range (WDR) | ≥130 dB   |
| Image Enhancement        | WDR, BLC, HLC, Global, HLS  |
| Privacy Mask             | 4 programmable privacy masks  |
| Noise Reduction          | 3D DNR/2D DNR   |
| White Balance            | Auto/Manual   |
| Interface                |   |
| Video Output             | Switchable TVI/AHD/CVI/CVBS   |
| Built-in Microphone      | Yes   |
| Event                    |   |
| Motion Detection         | 4 programmable motion areas   |
| General                  |   |
| Material                 | Metal   |
| Dimension                | Φ 85.1 mm × 77.62 mm (Φ 3.35" × 3.05")  |
| Weight                   | Approx. 312 g (0.69 lb.)  |
| Operating Condition      | -40°C to 60°C (-40°F to 140°F), Humidity: 90% or less (non-condensing)  |

|                 |   |
|-----------------|---|
| Communication   | HIKVISION-C   |
| Language        | English   |
| Power           | 12 VDC $\pm$ 25%, Max. 4.2 W<br>*You are recommended to use one power adapter to supply the power for one camera. |
| <b>Approval</b> |   |
| Protection      | IP67  |

## ▪ Available Model

DS-2CE70DF3T-MFS(2.8mm)

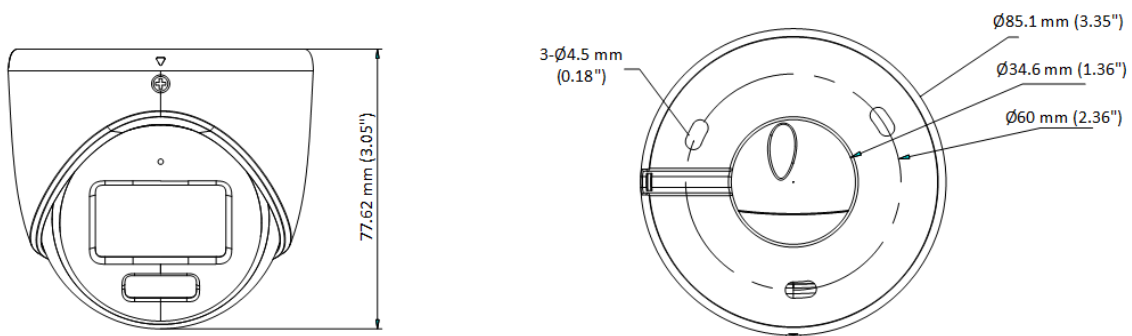
DS-2CE70DF3T-MFS(3.6mm)

DS-2CE70DF3T-MFS(6mm)

DS-2CE70DF3T-MFS(3.6mm)/SKD





DS-2CE70DF3T-MFS(3.6mm)(Chicony)

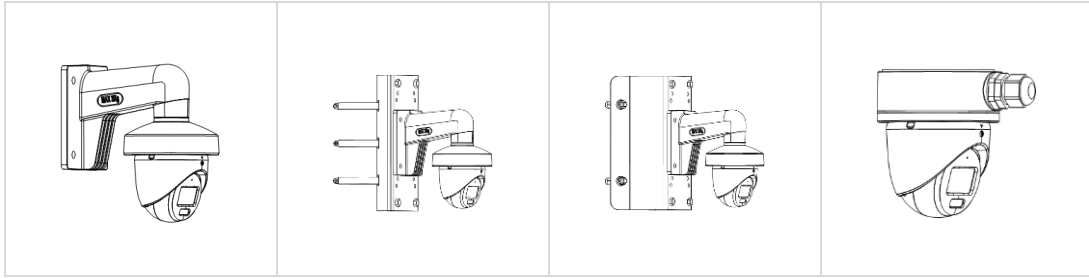
## ▪ Dimension



## ▪ Accessory

### ▪ Optional

| DS-1272ZJ-110-TRS<br>Wall mount   | DS-1275ZJ-SUS<br>Vertical pole mount  | DS-1276ZJ-SUS<br>Corner mount   | DS-1280ZJ-XS<br>Junction box  |
|---|---|---|---|
|  |  |  |  |



**Headquarters**

No.555 Qianmo Road, Binjiang District,  
Hangzhou 310051, China  
T +86-571-8807-5998  
www.hikvision.com



Follow us on social media to get the latest product and solution information.

