

DS-KD8003-IME1(B)/NS KD8 Series Pro Modular Door Station



- Main unit of modular door station
- 2 MP fisheye camera with IR supplement
- Two-lock control
- Standard PoE power supply
- IP65 protection level
- Convenient configuration via Web remotely
- Directly provide 12 V, 500 mA power output for one electronic lock without additional power supply
- Stainless Steel high quality material

▪ Specification

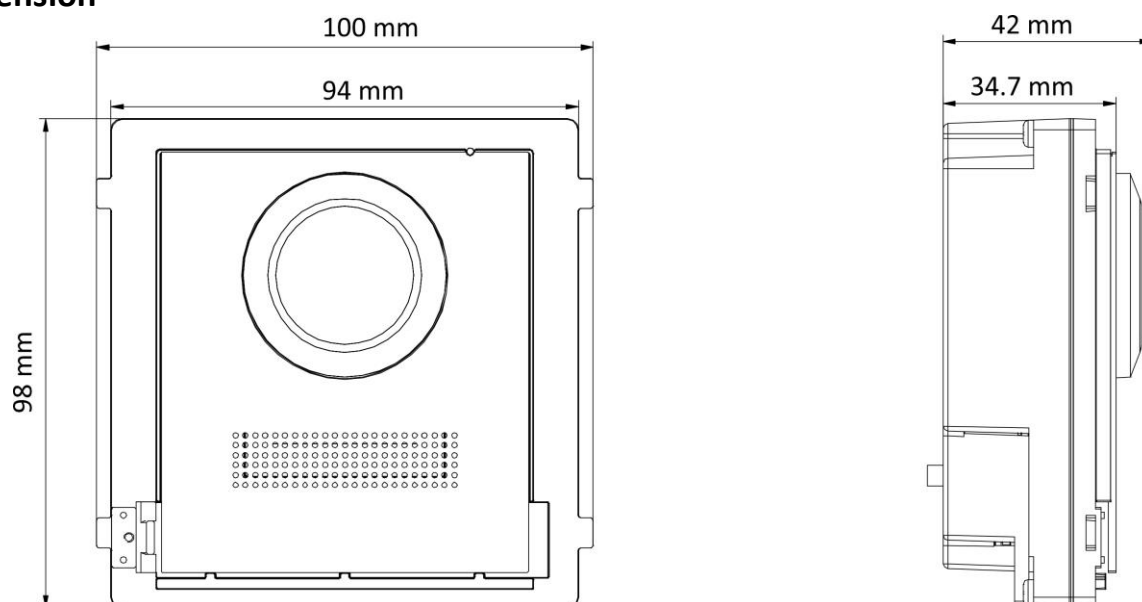
| System parameters | |
|--------------------------------|---|
| Operation system | Linux |
| ROM | 32 MB |
| RAM | 256 MB |
| Processor | Embedded high performance processor |
| Display parameters | |
| Screen size | / |
| Operation method | / |
| Type | / |
| Resolution | / |
| Video parameters | |
| Lens | 2 MP HD camera |
| Resolution | 2 MP |
| FOV | Horizontal: 146°, Vertical: 82° |
| Wide dynamic range (WDR) | Support |
| Supplement light | Low illumination, IR supplement lights |
| Video compression standard | H.264 |
| Audio parameters | |
| Audio input | 1 built-in omnidirectional microphone |
| Audio compression standard | G.711 U/G.711 A |
| Audio output | 1 built-in loudspeaker |
| Audio compression bitrate | 64 Kbps |
| Audio quality | Noise suppression and echo cancellation |
| Volume adjustment | Adjustable |
| Capacity | |
| User capacity | 2000 |
| Face capacity | / |
| Fingerprint capacity | / |
| Card capacity | 6000 |
| Message capacity | / |
| Linked indoor station capacity | 500 |
| Sub door station capacity | 16 |
| Network parameters | |
| Network protocol | TCP/IP, RTSP |
| Wi-Fi | / |
| Bluetooth | / |
| 3G/4G | / |
| Device interfaces | |
| Alarm input | 4 (2 exit buttons and 2 door contacts by default) |
| Network interface | 1 RJ-45, 10/100 Mbps self-adaptive |
| TAMPER | 1 |
| Exit button | 2 (2 for lock control) |
| RS-485 | 1 (1 for Hikvision's sub module communication) |
| USB | / |
| Wiegand | / |

| | |
|-------------------------|--|
| TF card | / |
| Alarm output | / |
| Lock control | 2 relays, Max. 30 VDC, 2 A |
| Door contact input | 1 |
| Two-Wire IP interface | / |
| General | |
| Button | / |
| Installation | Surface mounting, flush mounting |
| Indicator | / |
| Weight | Net weight: 410 g Gross weight: 581 g |
| Protective level | IP65 |
| Working temperature | -40 °C to 60 °C (-40 °F to 140 °F) |
| Working humidity | 10% to 95% (no-condensing) |
| Dimension (W × H × D) | 98 mm × 100 mm × 42 mm (3.86" × 3.94" × 1.65") |
| Battery | / |
| Power supply | 12 VDC, 500 mA, IEEE 802.3af, PoE |
| Application environment | Outdoor |
| Power consumption | ≤ 5 W |
| Language | English, French, Portuguese, Brazilian Portuguese, Spanish, Russian, German, Italian, Polish, Turkish, Vietnamese, Arabic, Czech, Hungarian, Dutch, Romanian, Bulgarian, Ukrainian, Croatian, Serbian, Greek, Slovak |

▪ Available Model

DS-KD8003-IME1(B)/NS

▪ Dimension



▪ **Accessory**

▪ **Optional**

| | | | | |
|---|---|---|---|---|
| DS-KAW50-1 | DS-KD-IN KD8 Series Pro Modular Door Station | DS-KD-BK KD8 Series Pro Modular Door Station | DS-KD-M KD8 Series Pro Modular Door Station | DS-KD-E KD8 Series Pro Modular Door Station |
|  |  |  |  |  |
| DS-KD-DIS KD8 Series Pro Modular Door Station | DS-KD-INFO KD8 Series Pro Modular Door Station | DS-KABD8003-RS1 Rain Shield of Module Door Station | DS-KABD8003-RS2 Rain Shield of Module Door Station | DS-KABD8003-RS3 Rain Shield of Module Door Station |
|  |  |  |  |  |
| DS-KAW50-1N | DS-KD-ACF1/S 2nd Video Intercom Brackets | DS-KD-ACF2/S 2nd Video Intercom Brackets | DS-KD-ACF3/S 2nd Video Intercom Brackets | DS-KD-ACW1/S 2nd Video Intercom Brackets |
|  |  |  |  |  |
| DS-KD-ACW2/S 2nd Video Intercom Brackets | DS-KD-ACW3/S 2nd Video Intercom Brackets | DS-KD-KK/S KD8 Series Pro Modular Door Station | DS-KD-KP/S KD8 Series Pro Modular Door Station | DS-KD-TDM |
|  |  |  |  |  |

| | | | | |
|---|---|---|---|---|
|  |  |  |  |  |
| DS-KD-TDE | DS-KABD8003- RS1/S | DS-KABD8003- RS2/S | DS-KABD8003- RS3/S | |
|  |  |  |  | |

Headquarters

No.555 Qianmo Road, Binjiang District,
Hangzhou 310051, China
T +86-571-8807-5998
www.hikvision.com



Follow us on social media to get the latest product and solution information.

