

DS-K1T981M Iris Recognition Terminal



The terminal adopts deep learning algorithm, which helps to recognize the face and iris with higher accuracy. It can be applied in multiple scenarios, such as buildings, enterprises, financial industries, and other important areas.

- Max. 50,000 faces capacity, Max. 10,000 irises capacity, Max. 100,000 cards capacity, and Max. 150,000 events capacity
- Iris recognition with 8-inch LCD touch screen; 2 MP wide-angle lens for face recognition and 5 MP single lens for iris recognition; built-in M1 card reading module
- Two-way audio with client software
- Supports TCP/IP, and Wi-Fi
- Configuration via the web client
- Face recognition distance: 0.3 m to 3 m; iris recognition distance: 40 cm to 70 cm
- Face recognition duration < 0.2 s/User and accuracy rate $\geq 99\%$; iris recognition duration < 1 s
- Supports face with mask recognition

▪ Specification

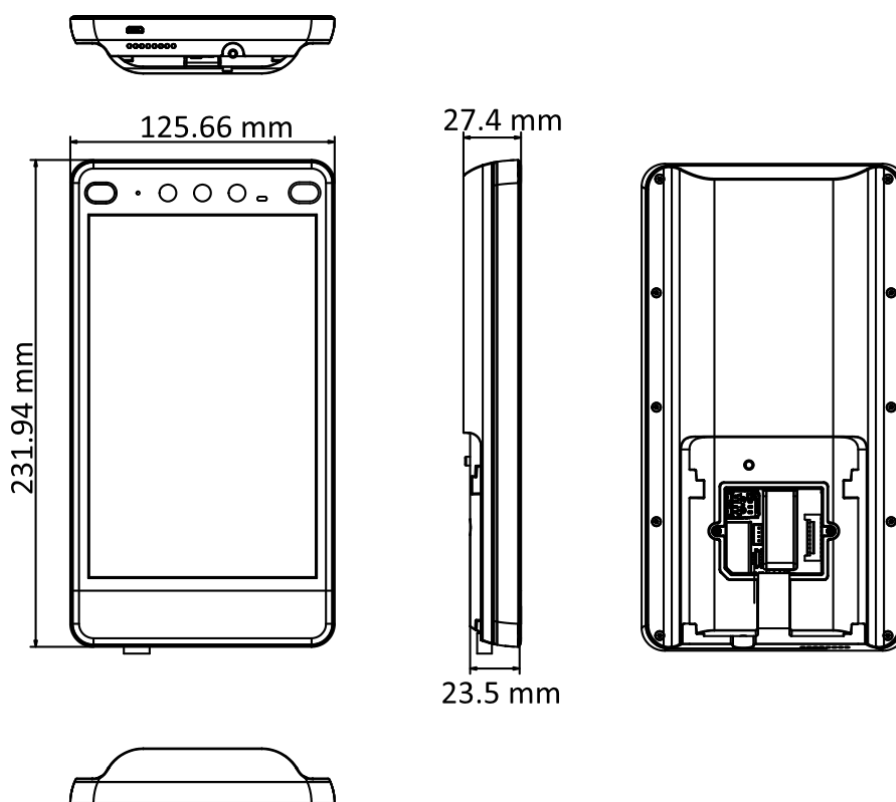
Display	
Screen size	8 inch
Operation method	Capacitive touch screen
Type	LCD
Video	
Lens	3 (2 for face recognition, 1 for iris recognition)
Resolution	For face recognition: 2 MP For iris recognition: 5 MP
FOV	For face recognition: HFOV = 44°; VFOV = 88°; DFOV = 108° For iris recognition: HFOV = 19.9°; VFOV = 14.5°; DFOV = 24.5°
Audio	
Audio quality	Noise suppression and echo cancellation
Network	
Wired network	Support
Wi-Fi	Support, 2.4 G, 802.11b/g/n
Interface	
Network interface	1 RJ-45, 10/100/1000 M self-adaptive
Lock control	1
Exit button	1
Door contact input	1
Alarm input	2
Alarm output	1
TAMPER	1
RS-485	1 RS-485 (Half duplex, HIKVISION)
Wiegand	1 Wiegand(Hik 26bit,Hik 34bit)
USB	1
Capacity	
Iris capacity	10,000
Authentication	
Iris recognition distance	40 to 70 cm
Iris registration duration	< 5 s
Iris recognition duration	< 1 s
Card type	M1 card
Card reading frequency	13.56 MHz
General	
Power supply	12 VDC, 3 A
Working temperature	-30 °C to 60 °C (-22 °F to 140 °F)
Working humidity	10 to 90% (no condensing)
Dimensions	126 mm × 232 mm × 27 mm (5.0" × 9.1" × 1.1")
Installation	Wall mounting
Language	English, Spanish (South America), Thai, Arabic, Russian, Portuguese (Brazil)
Platform	Hik-ProConnect and HikCentral Professional

Function	
Face anti-spoofing	Support
Time synchronization	

▪ **Available Model**

DS-K1T981M

▪ **Dimension**



▪ **Accessory**

▪ **Optional**

**DS-KAB6-W1
Bracket**



Headquarters

No.555 Qianmo Road, Binjiang District,
Hangzhou 310051, China
T +86-571-8807-5998
www.hikvision.com



Follow us on social media to get the latest product and solution information.

