

## DS-2TD4568-25A4/W Bi-spectrum Mobile Thermal PTZ Camera



Hikvision DS-2TD4568-25A4/W Bi-spectrum mobile thermal PTZ camera supports temperature measurement and perimeter protection. DS-2TD4568-25A4/W has a wide range of applications in fields such as fire engine, patrol vehicle in some scenarios like factory, warehouse, construction site, etc.

- 640 x 512 resolution, 12  $\mu\text{m}$ , VOx UFPA, NETD < 35 mK (25°C, F1.0)
- High accuracy temperature exception alarm, -20°C to 150°C (-4°F to 302°F),  $\pm 8^\circ\text{C}$  ( $\pm 14.4^\circ\text{F}$ )
- Image processing technology: linear, histogram, self-adaptive thermal AGC mode, DDE, 3D DNR
- Support GPS positioning function
- 2.4GHz Wi-Fi, easy for set-up; LTE-TDD/LTE-FDD/WCDMA 4G wireless network transmission, support Micro SIM card
- Professionally designed structure, strong anti-shake capacity
- Support mic and speaker
- E-mark and EN45545 on-board certification
- High quality with 10 years guarantee

## ▪ Specification

Model		DS-2TD4538-25A4/W
Thermal Module	Image Sensor	VOx Uncooled Focal Plane Arrays
	Resolution	640 x 512
	Spectral Range	8 $\mu$ m to 14 $\mu$ m
	Pixel Pitch	12 $\mu$ m
	Focal Length	25 mm
	Focus Mode	Athermalized
	IFOV	0.48 mrad
	NETD	Less than 35 mK (@25 °C, F#=1.0)
	Field of View	17.4° × 13.9° (H × V)
	Aperture	F1.0
	Digital Zoom	×1, ×2, ×4, ×8
	Min. Focusing Distance	17.4 m
Optical Module	Image Sensor	1/2.8" Progressive Scan CMOS
	Resolution	2688 × 1520, 4 MP
	Field of View	55°×33° (H × V)~2.4°×1.4° (H × V)
	Focal Length	4.8 mm~120 mm, 25X
	Min. Illumination	Color: 0.05 Lux @ (F1.5, AGC ON), B/W: 0.01 Lux @ (F1.5, AGC ON)
	Aperture (Range)	F1.3-F4.0
	Focus Mode	Semi-auto & Manual
	Digital Zoom	×1, ×2, ×4, ×8, ×16
	Day & Night Mode	IR cut filter with auto switch
	Shutter Speed	1/1 s to 1/30,000 s
	WDR	120 dB
	Optical Defog	Yes
PTZ	Movement Range	Pan: 360° Continuous Rotate; Tilt: From -20° to + 90° (auto flip)
	Pan Speed	Configurable, From 0.01°/s to 100°/s
	Tilt Speed	Configurable, From 0.01°/s to 100°/s
	Proportional Zoom	Yes
	Presets	300 in total, 273 are configurable.
	Patrol Scan	8; Up to 32 Presets Per Patrol
	Pattern Scan	4; More Than 10 Minutes Per Pattern
	Power Off Memory	Yes
	Park	Preset/Pattern Scan/Patrol Scan/Auto Scan/Tilt Scan/Random Scan/Frame Scan/Panorama Scan

<b>Smart Function</b>	VCA	4 VCA rule types (line crossing, intrusion, region entrance, and region exiting), up to 8 VCA rules in total.
	Temperature Measurement	Support 3 temperature measurement rule types, 273 presets as scene, 21 rules of each scene (10 points, 10 areas, and 1 line)
	Temperature Range	-20 °C to 150 °C (-4 °F to 302 °F)
	Temperature Accuracy	± 8 °C (±14.4 °F)
<b>Video and Audio</b>	Main Stream	Optical channel 50 Hz: 25 fps (2688 × 1520, 1920 × 1080, 1280 × 960, 1280 × 720) 60 Hz: 30 fps (2688 × 1520, 1920 × 1080, 1280 × 960, 1280 × 720) Thermal channel 25 fps (1280 × 720, 704 × 576, 352 × 288, 384 × 288)
	Sub-stream	Optical channel 50 Hz: 25fps (704 × 576, 352 × 288) 60 Hz: 30 fps (704 × 576, 352 × 288) Thermal channel 50 fps (704 × 576, 352 × 288, 384 × 288)
	Video Compression	Main stream: H.265+/H.265/H.264+/ H.264 Sub-stream: H.265/H.264
	Audio Compression	G.711u/G.711a/G.722.1/MP2L2/G.726/PCM/AAC
<b>Network</b>	Protocols	IPv4/IPv6, HTTP, HTTPS, 802.1x, Qos, FTP, SMTP, UPnP, SNMP, DNS, DDNS, NTP, RTSP, RTCP, RTP, TCP, UDP, IGMP, ICMP, DHCP, PPPoE
	Network Storage	MicroSD/SDHC/SDXC card (up to 256 G) local storage, and NAS (NFS, SMB/CIFS), auto network replenishment (ANR)
	API	ISAPI, HIKVISION SDK, third-party management platform, ONVIF (Profile S, Profile G, Profile T)
	Simultaneous Live View	Up to 20 channels
	User/Host level	Up to 32 users, 3 levels: Administrator, Operator, User
	Security	User authentication (ID and password), MAC address binding, HTTPS encryption, IEEE 802.1x access control, IP address filtering
	Client	iVMS-4200, Hik-Connect
	Web Browser	Live view (plug-in allowed) : Internet Explorer 11 Live view (plug-in free) : Chrome 57.0 +, Firefox 52.0 + Local service : Chrome 57.0+, Firefox 52.0 +
<b>Interface</b>	Alarm Action	Preset/Patrol Scan/Pattern Scan/SD Card Record/Relay Output/Smart capture/FTP upload/Email linkage
	Audio Input	Built-In 2 Mics
	Audio Output	Built-In Speaker
	Communication Interface	1, RJ45 10 M/100 M Self-adaptive Ethernet interface. 1, RS-485 interface
<b>General</b>	Menu Language	32 languages English, Russian, Estonian, Bulgarian, Hungarian, Greek, German, Italian, Czech, Slovak, French, Polish, Dutch, Portuguese, Spanish, Romanian, Danish, Swedish, Norwegian, Finnish, Croatian, Slovenian, Serbian, Turkish, Korean, Traditional Chinese, Thai, Vietnamese,

		Japanese, Latvian, Lithuanian, Portuguese (Brazil)
	Power Supply	DC8V~DC36V
	Power Consumption	2A, max. 20 W
	Working Temperature/ Humidity	From -30°C to 60°C (-68°F to 131°F); Humidity: 95% or Less
	Protection Level	IP66 Standard; TVS 6000V Lightning Protection, Surge Protection and Voltage Transient Protection
	Dimensions	Ø179.4mm×299.1mm(height)
	Weight	Approx. 4.5 kg (10.8 lb)
<b>Mobile Communication</b>	SIM Card Type	MicroSIM
	Frequency	LTE FDD: B 1/3/5/7/8/20/28 LTE TDD: B 38/40/41 WCDMA: B 1/5/8
	Standard	LTE FDD/LTE TDD/WCDMA
	Wi-Fi	Wi-Fi standard: IEEE802.11b, 802.11g, 802.11n Frequency range: 2.4GHz~2.4835GHz Channel bandwidth: Support 20MHz Security: 64/128-bit WEP, WPA/WPA2, WPA-PSK/WPA2-PSK
<b>Approval</b>	Other	E-mark and EN45545 on-board certification

## ▪ Range Table

VCA Range (Vehicles: 1.4 × 4.0 m)	VCA Range (Humans: 1.8 × 0.5 m)	Temperature Measurement (Object: 0.2 × 0.2 m)	Temperature Measurement (Object: 1 × 1 m)
750m	250m	83.4m	417m

## ▪ DORI

\* The table is only for reference and the performance may vary from camera to camera.

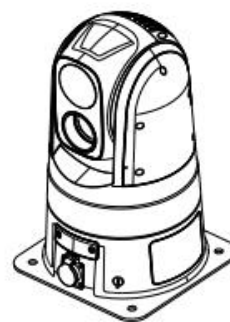
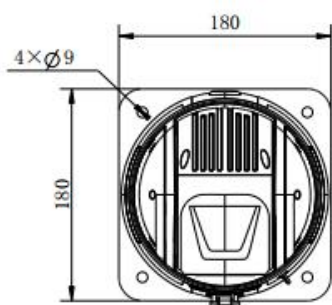
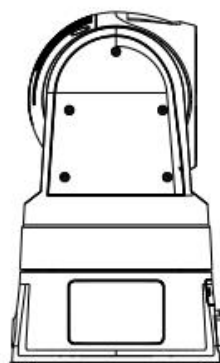
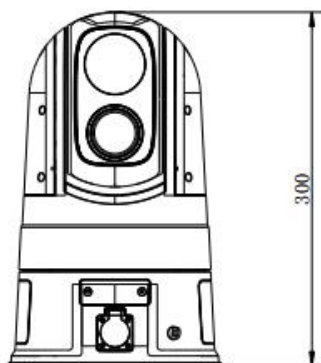
Detection Range: In order to distinguish an object from the background, the image must be covered by 1.5 or more pixels.

Recognition Range: In order to classify the object (animal, human, vehicle, etc.), the image must have at least 6 pixels across its critical dimension.

Identification Range: In order to identify the object and describe it in details, the critical dimension must have be least 12 pixels across

Detection Range (Vehicles: 1.4 × 4.0 m)	Detection Range (Humans: 1.8 × 0.5 m)	Recognition Range (Vehicles: 1.4 × 4.0 m)	Recognition Range (Humans: 1.8 × 0.5 m)	Identification Range (Vehicles: 1.4 × 4.0 m)	Identification Range (Humans: 1.8 × 0.5 m)
3194m	1042m	799m	260m	399m	130m

▪ Dimension



**Headquarters**

No.555 Qianmo Road, Binjiang District,  
Hangzhou 310051, China  
T +86-571-8807-5998  
www.hikvision.com



Follow us on social media to get the latest product and solution information.

