

## DS-1691ZJ

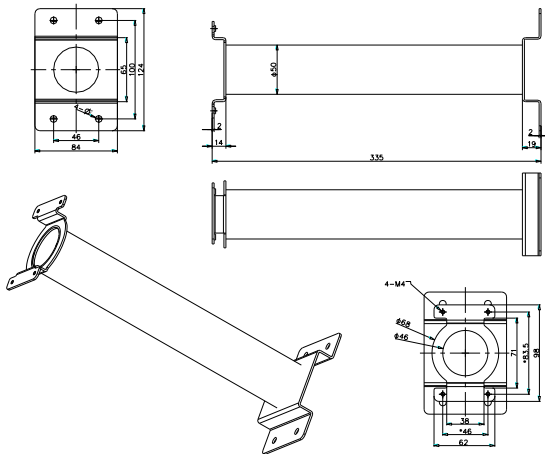
Pendent Mounting Bracket for PTZ Camera



### Features:

- Steel material with surface spray treatment
- Hikvision white

### Dimension:



### Order Model:

DS-1691ZJ

### Parameter:

Model	DS-1691ZJ
Parameters	Pendent Mounting Bracket for PTZ Camera
Appearance	Hik White
Material	Steel
Dimension	84×124×335mm
Weight	980g

### Notice:

- The bracket should be installed on flat wall
- The wall must be capable of supporting over 3 times as much as the total weight of the camera and the mount.
- The maximum load capacity of the bracket is **4.5KG**

**Note:** The actual dome camera may vary from the picture above.