

## iDS-MCD402-ES 4G Dual-lens ANPR Portable Speed Dome Kit



- Support for dual cameras, Lens1: 1/1.8" progressive scan CMOS; Lens2: 1/1.8" CMOS.
- 36× optical zoom, 12× digital zoom.
- 3D DNR/Defog/EIS.
- Up to 100 m IR distance.
- Quick installation with the magnetic base and the tripod bracket.
- Replaceable battery for sustainable work.
- 360° endless pan and -20° to 90° (auto-flip) tilt movement range for PTZ.
- Embedded screen for status display, e.g. battery, GPS, 3G/4G, record status, storage capacity, Bluetooth, platform access, Wi-Fi, and smart algorithm mode.
- Supports accessing via IE browser and client, and remote operation.

## ▪ Specification

Camera	
Image Sensor	Lens 1: 1/1.8" progressive scan CMOS Lens 2: 1/1.8" CMOS
Max. Resolution	3840 × 2160
Min. Illumination	Lens 1: chromatic: 0.005 Lux @ (F1.3, AGC ON); monochrome: 0.0005 Lux @ (F1.3, AGC ON) Lens 2: chromatic: 0.02 Lux @ (F1.7, AGC ON); monochrome: 0.02 Lux @ (F1.7, AGC ON)
Day & Night	Switch IR Cut Filter Automatically
Zoom	36x Optical, 12x Digital
Optical Image Stabilization	Supported
Lens	
Focal Length	Lens 1: 6 mm to 216 mm Lens 2: 2.8 mm fixed lens
FOV	Lens 1: Horizontal FOV: 59° to 2.0°, Vertical FOV: 34.2° to 1.1°, Diagonal FOV: 67.1° to 2.3° Lens 2: Horizontal FOV: 102°, Vertical FOV: 56°, Diagonal FOV: 123°
Zoom Speed	Approx. 4.6 s (optical lens, wide-tele)
Aperture	Lens 1: F1.3 - F4.6 Lens 2: F1.7
Event	
Smart Event	Vehicle recognition, face recognition, face comparison, helmet detection, phone call, work wear detection, smoking detection, area invasion, intrusion detection (supports 4 areas)
Video	
Video Compression	H.264, H.265
Video Format	PS
Main Stream	Lens 1: 60 Hz: 30 fps (2688 × 1520, 1920 × 1080, 1280 × 720, 720 × 576) Lens 2: 60 Hz: 30 fps (3840 × 2160, 3072 × 1728, 704 × 240, 352 × 240)
Sub Stream	Lens 1: 60 Hz: 12fps (1920 × 1080); 30 fps (1280 × 720, 704 × 480, 704 × 240, 352 × 240) Lens 2: 60 Hz: 30 fps (1280 × 720, 704 × 240, 352 × 240)
Audio	
Audio Compression	G.711ulaw, G.711alaw, G.722.1
Audio Bit Rate	64 Kbps (G.711ulaw/G.711alaw), 16 Kbps (G.722.1)
Image	
Image Format	JPEG
Wide Dynamic Range (WDR)	120 dB
Image Enhancement	3D DNR, Defog, EIS
Screen	
Resolution	320 × 240
Screen Size	2.0"
Touchscreen	Supported
Storage	
RAM	2 GB

ROM	4 GB
<b>IR</b>	
IR Range	Up to 100 m
IR Wavelength	850 nm
<b>Wireless Network</b>	
Bluetooth	BT4.0
Wi-Fi Protocol	802.11 a/b/g/n/ac
Wi-Fi Frequency Band	2.412 to 2.472 GHz, 5.15 to 5.25 GHz, 5.725 to 5.875 GHz
Cellular Network	Only available for models with /GLE : GSM: 850/900/1800 WCDMA: B1/B5/B8 FDD-LTE: B1/B3/B5/B7/B8/B20 TDD-LTE: B38/B40/B41
Positioning Mode	GPS, Glonass
<b>Network</b>	
Protocol	HTTPS, RTSP, NTP, FTP
API	ONVIF (PROFILE S, PROFILE G, PROFILE T), ISAPI, SDK, ISUP5.0
<b>Interface</b>	
Indicator	1 Indicator for Charging/Working
Button	Power
SIM Card	Only available for models with /GLE /5G: 1 (Nano-SIM)
Aviation Plug	10-Core Aviation Plug, supporting RS-232, RJ45 and power input 9-Core Aviation Plug, supporting RS-485, LINE IN/LINE OUT, 5V output, Alarm I/O
Extended Storage	2 Built-in memory card slots, up to 256 GB each, supporting TF card
<b>PTZ</b>	
Movement Range (Pan)	360° endless
Movement Range (Tilt)	-20° to 90° (Auto-flip)
Preset	256
Patrol Scan	8 Patrols
<b>General</b>	
Operating Condition	-10 °C to 55 °C (14 °F to 131 °F). Humidity 95% or less (non-condensing)
Power	12 VDC, 5.0 A, max. 60 W
Dimension	550 mm × 420 mm × 245 mm (21.56" × 16.54" × 9.65")
Weight	11.75 kg (25.9 lb.)
Installation Method	Wall-Mounted, Tripod-Mounted, Movable Bracket
Client	Hik-Connect, HikCentral Pro, Hik-Connect, HikCentral Master
Web Browser	Plug-in required live view: IE 10+
Light Sensor	Supported
MIC	Supported
Speaker	2 Built-in speaker, Max. power consumption: 2.5 W, Max. sound pressure level: 102 dB (10 cm)

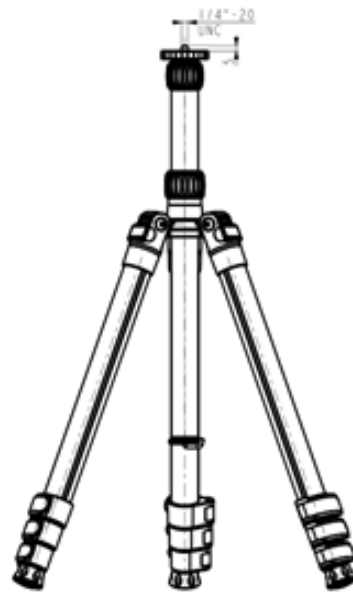
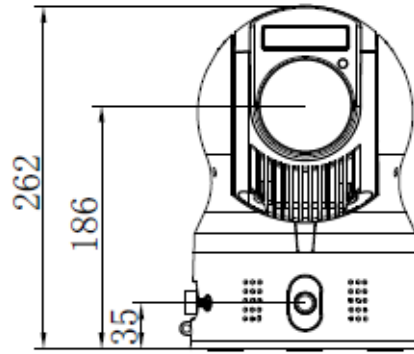
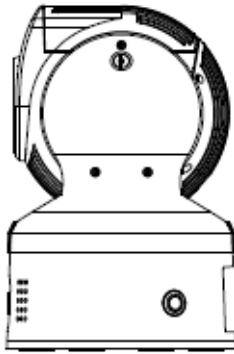
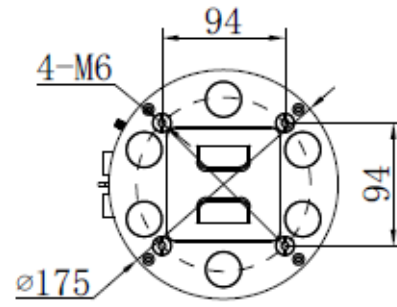
Packing List	<ul style="list-style-type: none"> <li>1 × AC power cord</li> <li>1 × 345 cm Composite cable</li> <li>1 × Lithium ion battery</li> <li>1 × Mounting support plate for tripod</li> <li>1 × Safety rope</li> <li>1 × C92-screwdriver</li> <li>1 × 500 × 395 × 257 mm, portable plastic box</li> <li>1 × Battery Charger DS-MH1491</li> <li>1 × tripod DS-MH1697</li> </ul>
<b>Battery</b>	
Battery Type	Lithium-ion battery, dismountable
Capacity	13400 mAh
Charging Time	≤ 4 h
Battery Duration	≥ 9 h in 1080p resolution
<b>Approval</b>	
RF	CE-RED: EN 301 489-1 V2.2.3: 2019; EN 301 489-3 V2.2.2: 2019; EN 301 489-17 V3.2.4: 2020; EN 301 489-19 V2.2.1: 2022; EN 301 489-52 V1.2.1: 2021; EN 55032: 2015/A11: 2020; EN 55035: 2017/A11: 2020; EN 50130-4: 2011/A1: 2014; EN IEC 61000-3-2: 2019/A1: 2021; EN 61000-3-3: 2013/A2: 2021; EN 300 328 V2.2.2: 2019; EN 301 893 V2.1.1.1: 2017; EN 301 440 V2.1.1: 2017; EN 301 908-1 V15.1.1: 2021; EN 301 908-2 V13.1.1: 2020; EN 301 908-13 V13.2.1: 2022; EN 303 413 V1.2.1: 2021; EN 62479: 2010; EN 50663: 2017; EN 50385: 2017; EN IEC 62311: 2020; EN 62311: 2008; EN 62368-1: 2014/A11: 2017
EMC	CE-EMC: EN 55032: 2015/A11: 2020; EN 55035: 2017/A11: 2020; EN 50130-4: 2011/A1: 2014; EN IEC 61000-3-2: 2019/A1: 2021; EN 61000-3-3: 2013/A2: 2021
Safety	CB: IEC 62368-1: 2018 CE-LVD: EN 62368-1: 2014/A11: 2017
Environment	CE-RoHS: 2011/65/EU
Protection	IP66

### ▪ Available Model




iDS-MCD402-ES/36X/I/GLE






unit: mm



▪ **Accessory**  
▪ **Included**

DS-MH1697-H Tripod	DS-MH1491 Battery Charger	DS-MH1391 Portable PTZ Dome Battery
		

▪ **Optional**

DS-MH1697-H Tripod	DS-MH1491 Battery Charger	DS-MH1695I-H Tripod
		

**Headquarters**

No.555 Qianmo Road, Binjiang District,  
Hangzhou 310051, China  
T +86-571-8807-5998  
www.hikvision.com



Follow us on social media to get the latest product and solution information.

