

DS-2TD2367-xx/P

Thermal Network Bullet Cameras



Hikvision's DS-2TD2367-xx/P Thermal Network Bullet Cameras can be used in substations, hydropower stations, waste incineration plants, manufacturing workshops, etc. The accurate temperature measurement device sends temperature exception alarms for loss prevention.

Available Model:

DS-2TD2367-50/P

DS-2TD2367-75/P

- 640 x 512 Resolution, 17 μm , V0x UFPA, NETD <35 mK (25° C, F# = 1.0)
- Behavior Analysis Functions, Based on Deep Learning Algorithm: Line Crossing, Intrusion, Region Entrance and Exit
- Image Processing Technology: Linear, Histogram, Self-Adaptive Thermal AGC Mode, DDE, 3D DNR
- Temperature Exception Alarm
- Fire Detection Algorithm



Specifications

	DS-2TD2367-75/P	DS-2TD2367-50/P
Thermal Module		
Image Sensor	Vanadium oxide uncooled focal plane arrays	
Resolution	640 × 512	
Pixel Interval	17 μm	
Response Waveband	8 μm to 14 μm	
NETD	<35 mk (25° C, F# = 1.0)	
Focal Length	75 mm	50 mm
IFOV	0.23 mrad	0.34 mrad
Field of View	8.3° × 6.6° (H × V)	12.4° × 10° (H × V)
Minimum Focusing Distance	360 ft (110 m)	164 ft (50 m)
Aperture	f/1.0	f/1.0
Digital Zoom	2x, 4x, 8x	
Image Effect		
Target Coloration	Yes, supported in white hot and black hot mode	
Smart Function		
VCA	4 VCA rule types (line crossing, intrusion, region entrance, and region exiting), up to 8 VCA rules in total	
Temperature Measurement	3 temperature measurement rule types, 21 rules in total (10 points, 10 areas, and 1 line)	
Temperature Range	-20° to 150° C (-4° to 302° F)	
Temperature Accuracy	Maximum (±8° C, ±8%)	
Fire Detection	Dynamic fire detection, up to 10 fire points detectable	
Video and Audio		
Main Stream	25 fps (1280 × 720, 704 × 576, 352 × 288, 384 × 288)	
Sub-stream	25 fps (704 × 576, 352 × 288, 384 × 288)	
Third Stream	25 fps (1280 × 720, 704 × 576, 352 × 288, 384 × 288)	
Video Compression	Main stream: H.265/H.264 Sub-stream: H.265/H.264/MJPEG Third stream: H.265/H.264/MJPEG	
Audio Compression	G.722.1/G.711ulaw/G.711alaw/MP2L2/G.726/AAC/PCM	
Network		
Protocols	IPv4/IPv6, HTTP, HTTPS, 802.1x, QoS, FTP, SMTP, UPnP, SNMP, DNS, DDNS, NTP, RTSP, RTCP, RTP, TCP, UDP, IGMP, ICMP, DHCP, PPPoE	
API	ISAPI, HIKVISION SDK, open network video interface	
Security	User authentication (ID and PW), MAC address binding, HTTPS encryption, IEEE 802.1x (EAP-MD5, EAP-TLS), access control, IP address filtering	
Simultaneous Live View	Up to 20 channels	
Client	iVMS-4200, Hik-Connect	
Web Browser	IE 11, Chrome 41-44, Firefox 30-51	
Network Storage	MicroSD/SDHC/SDXC card (up to 256 GB) local storage, and NAS (NFS, SMB/CIFS), auto network replenishment (ANR)	
User/Host level	Up to 32 users, 3 levels: administrator, operator, user	
Interface		
Alarm Input	2, alarm input (0-5 VDC)	
Alarm Output	2, alarm output	
Alarm Action	SD recording/relay output/smart capture/FTP upload/e-mail linkage	
Audio Input	1, 3.5 mm mic in/line in interface Line input: 2-2.4 V [p-p], output impedance: 1K Ω ±10%	
Audio Output	Linear level, impedance: 600 Ω	
Communication Interface	1, RJ-45 10 M/100 M self-adaptive Ethernet interface 1, RS-485 interface 1, single mode fiber interface; tx: 1310 nm; rx 1550 nm; transmission distance: 20 km; transmission speed: 100 M	
General		
Web Client Language	32 languages: English, Russian, Estonian, Bulgarian, Hungarian, Greek, German, Italian, Czech, Slovak, French, Polish, Dutch, Portuguese, Spanish, Romanian, Danish, Swedish, Norwegian, Finnish, Croatian, Slovenian, Serbian, Turkish, Korean, Traditional Chinese, Thai, Vietnamese, Japanese, Latvian, Lithuanian, Portuguese (Brazil)	
Power Supply	24 VAC ±25%, two-core terminal block PoE (802.3at, class 4)	
Power Consumption	18 VAC to 30 VAC: 0.13 A to 0.22 A, maximum 5 W 9 VDC to 15 VDC: 0.37 A to 0.61 A, maximum 5 W PoE (802.3at, class 4): 44 V to 57 V: 0.1 A to 0.13 A, maximum 5.5 W	
Working Temperature/Humidity	Temperature: -40° to 65° C (-40° to 149° F) Humidity: 90% or less, non-condensing	
Protection Level	IP66 Standard TVS 6000V lightning protection, surge protection, voltage transient protection	
Dimensions	535 mm × 400 mm × 171 mm (21.06" × 15.75" × 6.73")	
Weight	Approximately 6.40 kg (14.11 lb)	

DRI Range Table

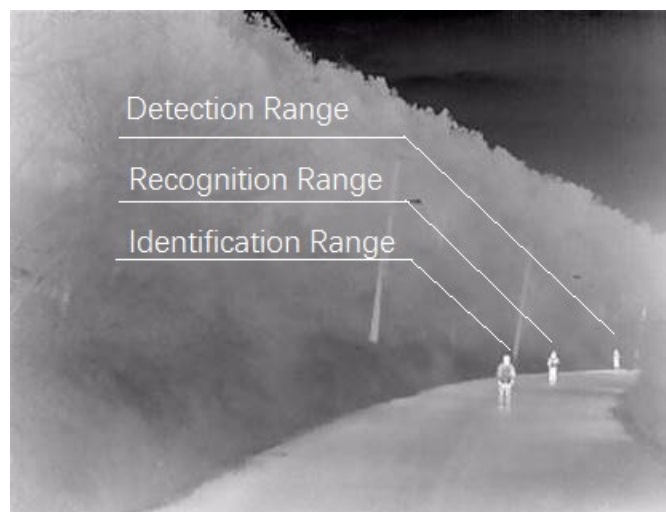
* The table is for reference only, and the performance may vary according to different environment.

* The optimal human detection, recognition, and identification distances are calculated according to Johnson's Criteria.

Detection Range: In order to distinguish an object from the background, the object must be covered by 1.5 or more pixels.

Recognition Range: In order to classify the object (animal, human, vehicle, etc.), the object must be covered by 6 or more pixels.

Identification Range: In order to identify the object and describe it in details, the object must be covered by 12 or more pixels.



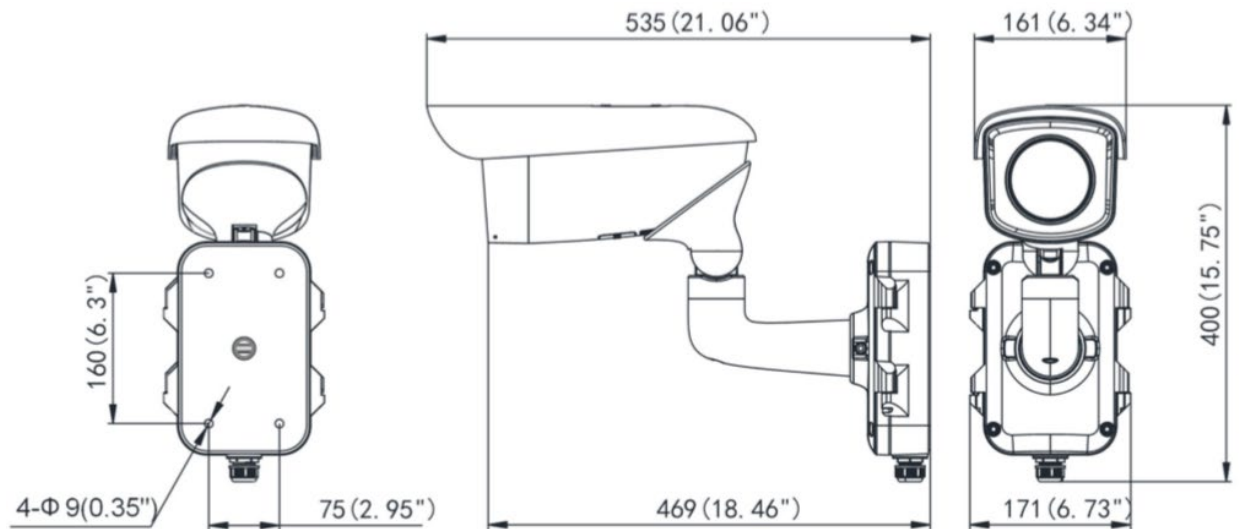
	Detection Range		Recognition Range		Identification Range	
	Vehicles	Humans	Vehicles	Humans	Vehicles	Humans
	1.4 × 4.0 m	1.8 × 0.5 m	1.4 × 4.0 m	1.8 × 0.5 m	1.4 × 4.0 m	1.8 × 0.5 m
DS-2TD2367-50	4510 m	1471 m	1127 m	368 m	564 m	184 m
DS-2TD2367-75	6765 m	2206 m	1691 m	551 m	846 m	276 m

Smart Function Table

* The table is for reference only, and the performance may vary according to different environment.

	VCA Range		Temperature Measurement		Fire Detection	
	Vehicles	Humans	Object		2 x 2 m	1 x 1 m
	1.4 × 4.0 m	1.8 × 0.5 m	2 x 2 m	1 x 1 m		
DS-2TD2367-50	1029 m	368 m	1170 m	590 m	2940 m	1470 m
DS-2TD2367-75	1544 m	551 m	1775 m	885 m	4410 m	2205 m

Dimensions



Unit: mm [Inch]

COMPLIANCE NOTICE: The thermal series products might be subject to export controls in various countries or regions, including without limitation, the United States, European Union, United Kingdom and/or other member countries of the Wassenaar Arrangement. Please consult your professional legal or compliance expert or local government authorities for any necessary export license requirements if you intend to transfer, export, re-export the thermal series products between different countries.