

VTO3312Q-P

2-wire Villa Door Station



- Full metal casing design.
- Customizable Number of Buttons.
- 1/2.8" 2-MP HD CMOS camera.
- Offers two-way video call with indoor monitors.
- IR illumination and auto WDR.
- Supports two locks.
- Voice call and unlocking through app.
- Two wires and RJ-45 connection.
- IK08 and IP65 rated.
- H.264 and H.265.
- Unlock with IC card.
- PoE power supply.
- Included rain cover.



Technical Specification

System

Main Processor	Embedded Processor
Button Type	Mechanical
Interoperability	ONVIF; CGI
Network Protocol	RTSP; DNS; P2P; UPnP; RTP; RTMP; SIP; SSH; HTTP/HTTPS; ONVIF

Basic

Camera	1/2.8" CMOS 2-MP HD camera
Field of View	H: 125°; V: 65°; D: 139°
WDR	120 dB
Noise Reduction	3D NR; 2D NR
Video Compression	H.264; H.265
Video Resolution	Main stream: 720p, WVGA, D1, and CIF; Sub stream: 1080p, WVGA, D1, QVGA, and CIF
Video Frame Rate	PAL: 25 fps NTSC: 30 fps
Video Bit Rate	768 kbps–8 Mbps
Light Compensation	Auto IR
Day/Night	Auto (ICR)/Color/B/W; Color/B/W

Audio Compression	G.711a; G.711u; PCM
Audio Input	1
Audio Output	Built-in speaker
Audio Mode	Two-way audio
Audio Enhancement	Echo suppression/digital noise reduction; Echo suppression; Digital noise reduction
Audio Bit Rate	16 kHz, 16 bit

Function

Communication Mode	Full digital
Unlock Mode	Card; app; indoor monitor
Card Type	IC card
Auto Snapshot	Yes (SD card is inserted in the indoor monitor or door station)
Leave Videos	Yes (SD card inserted in VTH/VTO is needed)
Web Configuration	Yes
Storage	Micro SD card (max. 256 GB)

Performance

Card Reading Distance	0 cm–3.5 cm (0"–1.38")
Issue Card Locally	Yes
Casing	Alluminum alloy

Capacity

Card Capacity	3000
---------------	------

Port

RS-485	1
Alarm Input	1
Alarm Output	1
Power Output	1
Exit Button	1
Door Status Detection	1
Lock Control	1
Network Port	1 × RJ-45/two-wire port, 10/100 Mbps self-adaptive

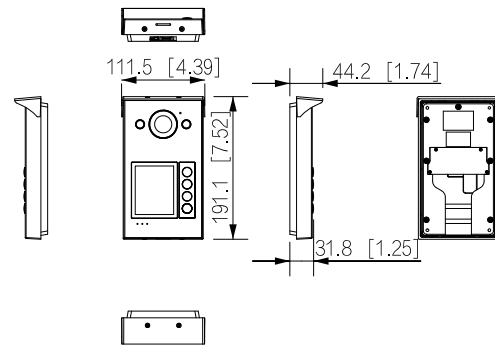
Alarm

Tamper Alarm	Yes
--------------	-----

General

Appearance color	Grey
Power Supply	48 VDC, 1 A Standard PoE Two-wire switch (max. power supply distance is 50 m/164.04 ft)
Power Adapter	Optional
Installation	Surface Mount
Certifications	CE; FCC
Accessory	Included: Alarm power ribbon cable, rain cover
Product Dimensions	188.1 mm × 107.2 mm × 30 mm (7.41" × 4.22" × 1.18")
Protection	IP65 IK08
Operating Temperature	-40 °C to +60 °C (-40 °F to +140 °F)
Operating Humidity	10%–90% (RH), non-condensing
Operating Altitude	0 m–3,000 m (0 ft–9,842.51 ft)
Power Consumption	≤ 4 W (standby), ≤ 8 W (working)
Gross Weight	0.78 kg (1.72 lb)
Net Weight	0.57 kg (1.26 lb)

Dimensions (mm[inch])



Application

