

**DS-KABD8003-RS1/S****Video Intercom Module Door Station Protective Shield**

- Convenient design available for the 1 module surface mounting of the modular door station (DS-KD8003-IME1 or DS-KD8003-IME2)
- Material: Stainless Steel

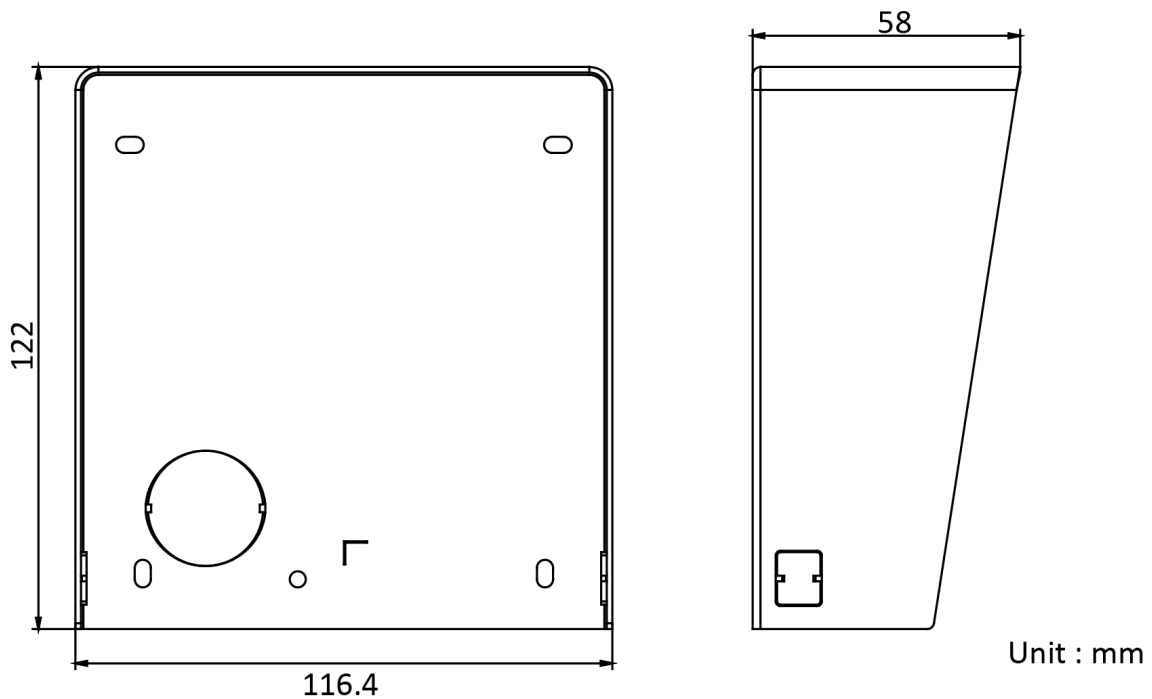
▪ **Specification**

| General               |   |
|-----------------------|---|
| Working temperature   | -40 °C to 60 °C (-40 °F to 140 °F)          |
| Weight                | Net weight: 0.290 kg                        |
|                       | Gross weight:0.494 kg                       |
| Working temperature   | -40 °C to 60 °C (-40 °F to 140 °F)          |
| Working humidity      | 10% to 95% (No condensing)                  |
| Dimension (W × H × D) | 116.4 × 122 × 58 mm (4.58" × 4.80" × 2.28") |
| Material              | Stainless steel                             |

▪ **Available Model**

DS-KABD8003-RS1/S

▪ **Dimension**



▪ **Accessory**



DS-KD8003-IME1(B)/NS



DS-KD-PMR



DS-KD8003Y-IME2/S



DS-KD8003-IME1(B)/S



DS-KD8003Y-IME2/NS

**Headquarters**

No.555 Qianmo Road, Binjiang District,  
Hangzhou 310051, China  
T +86-571-8807-5998  
www.hikvision.com



Follow us on social media to get the latest product and solution information.

